

HBL2GR1/HBW2GR1/ HBW2GR3/HBW4GR1

WDR IR Rugged IP Bullet Cameras

Honeywell is taking quality and reliability to the next level with the New equiP® line of rugged IP bullet cameras. The Honeywell TDN ultra low-light IR rugged bullet cameras offer outstanding picture clarity, hassle-free flexible system integration, and secure data transmission—and they look great too!

Superior Image Quality

- Full HD 1080p 25/30 fps image with a 1/2.7" or 1/2.8" 2 MP sensor, or full HD 4 MP 20 fps image with a 1/3" 4 MP sensor
- True WDR, up to 140 dB, ensures glare-free images
- True Day/Night provides vivid color images by day and clear black-and-white images at night with ICR
- Excellent low-light performance with 3D noise reduction, saving storage and bandwidth together with H.264 High Profile codec
- Ultra Low Light technology is able to capture high quality color images in low light environments

Flexible Surveillance Solution

- 2.7-12 mm or 5-50 mm, F1.4, motorized focus/zoom lens
- H.264 and MJPEG codec, triple stream support
- IR LEDs provide up to 195' (60 m) of illumination in dimly lit or nighttime scenes (depending on scene reflectance)
- Smart IR technology provides even distribution of IR
- Waterproof (IP67) and IK10 vandal resistant camera housing
- -40°F to 140°F (-40°C to 60°C) working temperature
- ONVIF Profile S and G compliant
- Security features include individual signed certificates and data encryption
- Cameras can be retrofitted on many existing DVR/NVR installations without requiring additional storage



HD

Back box sold separately



Easy to Install and Use

- Built-in PoE (Power over Ethernet) eliminates separate power supply and associated wiring; 24 V AC/12 V DC inputs where PoE power is unavailable
- Remote configuration, motorized zoom adjustments and auto focus through web client or from the NVR
- Included accessories: security screw driver, mounting screws, and mounting template

Onboard Video Storage

- Supports up to 128 GB microSDHC (Class 10) card for local video storage when network is interrupted. Card not included.

FEATURES AND BENEFITS

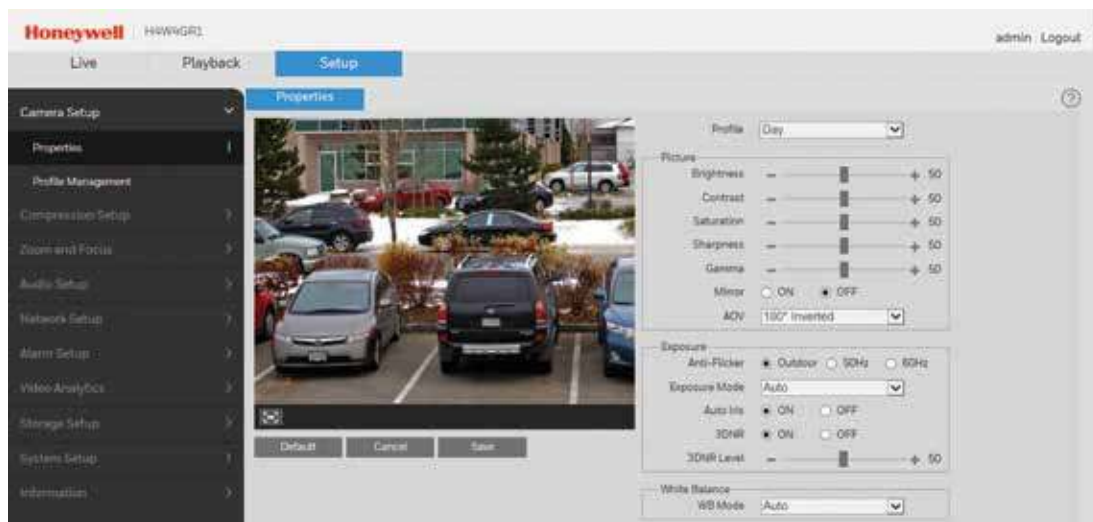
These fully featured attractive cameras are perfect for outdoor installations that require excellent picture quality at minimal bandwidth while offering maximum protection against dust, dirt, and water. Boasting a sleek modern design and offering two different lens options, the cameras are suited for a wide range of applications.

- 1/2.7" or 1/2.8" 2 MP progressive scan imager or 1/3" 4 MP progressive scan imager
- Ultra-low light performance
- 195' (60 m) IR distance, depending on scene reflectance
- True WDR: up to 140 dB
- Excellent low light performance with down to 0 lux BW (with IR LEDs on)
- Up to triple stream support
- Up to 4 MP resolution at 20 fps or 1080p at 25/30 fps
- 2.7-12 mm or 5-50 mm, F1.4, motorized focus and zoom lens
- Rugged outdoor housing with IP67 ingress protection rating and IK10 vandal resistance rating
- Corridor mode viewing capability
- On board camera storage: up to 128 GB micro SD card (not included)
- ONVIF profile S and G compliant

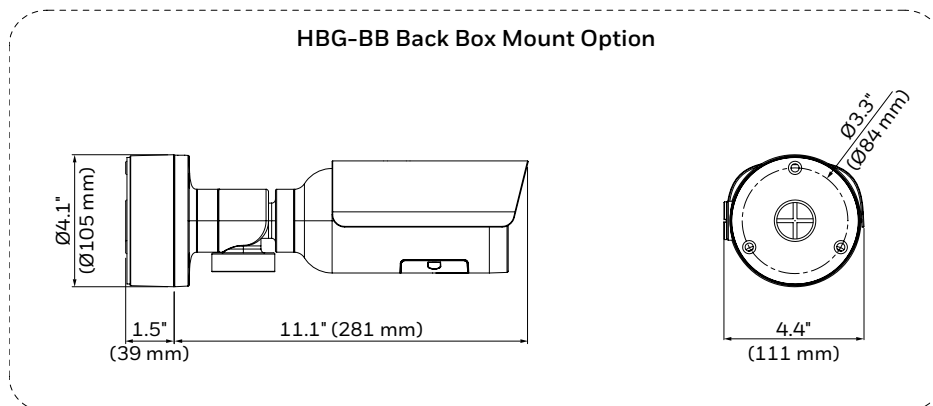
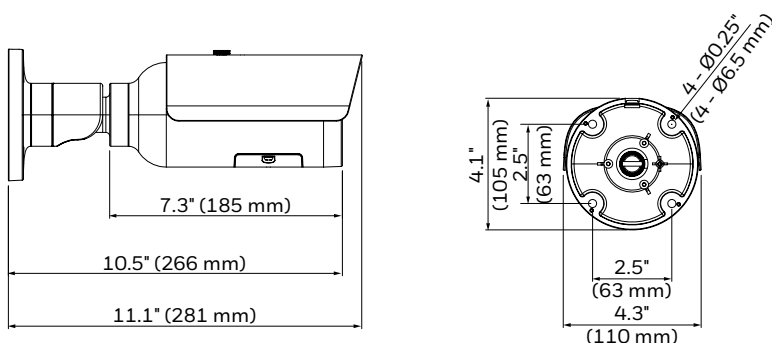
HBL2GR1/HBW2GR1/HBW2GR3/HBW4GR1

WDR IR Rugged IP Bullet Cameras

The camera can be configured to automatically detect and respond to events such as motion in the scene, alarm inputs, network failure, and/or camera tampering. Automated responses include: sending a notification through email, FTP, and/or HTTP; sending a still image of the event through email and/or FTP; and recording a video clip of the event to a configured microSDHC card. Setup can be done through a web client or from an NVR.



DIMENSIONS



HBL2GR1/HBW2GR1/HBW2GR3/HBW4GR1

WDR IR Rugged IP Bullet Cameras

SPECIFICATIONS

OPERATIONAL		IP SPECIFICATIONS (CON'T)	
VIDEO STANDARD	NTSC/PAL	SUB STREAM	HBL2GR1/HBW2GR3/HBL2GR1 (PAL): 1-25 fps (D1-704x576, CIF-352x288) HBW2GR1/HBW2GR3/HBL2GR1 (NTSC): 1-30 fps (D1-704x480, CIF-352x240) HBW4GR1 (PAL): 1-20 fps (D1-704x576, CIF-352x288) HBW4GR1 (NTSC): 1-20 fps (D1-704x480, CIF-352x240)
SCANNING SYSTEM	Progressive scan		
IMAGE SENSOR	HBL2GR1: 1/2.8" 2 MP progressive CMOS	FRAME RATE	HBL2GR1/HBW2GR3 (PAL): 720p 1-14 fps, D1 (704x576) 1-25 fps, CIF (352x288) 1-25 fps HBW2GR1/HBW2GR3 (NTSC): 720p 1-3 fps, D1 (704x480) 1-9 fps, CIF (352x240) 1-30 fps HBW4GR1 (PAL): 1-20 fps (720p, D1-704x576, CIF-352x288) HBW4GR1 (NTSC): 1-20 fps (720p, D1-704x480, CIF-352x240) HBL2GR1 (PAL): 1080p 1-20 fps, 1-25 fps (720p, D1-704x576) HBL2GR1 (NTSC): 1080p 1-15 fps, 1-30 fps (720p, D1-704x480)
	HBW2GR1/HBW2GR3: 1/2.7" 2 MP progressive CMOS HBW4GR1: 1/3" 4 MP progressive CMOS		
NUMBER OF PIXELS (HxV)	HBL2GR1/HBW2GR1/HBW2GR3: 1920 x 1080	TRIPLE STREAM	IPv4/IPv6, HTTP, HTTPS, TCP/IP, UDP, UPnP, ICMP, IGMP, RTSP, RTP, SMTP, NTP, DHCP, DNS, PPPoE, DDNS, FTP, QoS, SNMP v2c/v3, LDAP (Client), NFS, RTCP, Bonjour
	HBW4GR1: 2560x1440		
MINIMUM ILLUMINATION	HBL2GR1: 0.005 lux color/0 lux with IR LEDs on @ F1.4	COMPATIBILITY	ONVIF Profile S/G
	HBW2GR1/HBW2GR3/HBW4GR1: 0.01 lux color/0 lux with IR LEDs on @ F1.4	MAX. USER ACCESS	20 users
S/N RATIO	50 dB or more	LANGUAGES SUPPORTED	English, Arabic, Czech, Dutch, French, German, Italian, Japanese, Korean, Polish, Portuguese, Russian, Simplified Chinese, Spanish, Turkish
ELECTRONIC SHUTTER SPEED	Auto, Manual, 1/3(4)-1/10 000 s	ELECTRICAL	
IR DISTANCE	Up to 195' (60 m), depending on scene reflectance	INPUT VOLTAGE	12VDC +/-10%, 24VAC +/-10%, PoE IEEE 802.3af
DAY/NIGHT	Auto(ICR)/Color/BW	AC FREQUENCY	50/60 Hz
BACKLIGHT COMPENSATION	BLC/HLC	POWER CONSUMPTION	24VAC 12W max (zoom/focus/IRs/heater active), typical 10.5W PoE (802.3af) Class 0
WIDE DYNAMIC RANGE	HBL2GR1: 140 dB HBW2GR1/HBW2GR3/HBW4GR1: 120 dB		HBL2GR1 PoE (802.3at) 24VAC 14.5W Class 4
WHITE BALANCE	Auto/Manual	MECHANICAL	
GAIN CONTROL	Auto/Manual	DIMENSIONS	11.1" x 4.3" (281.0 x 110.0 mm)
NOISE REDUCTION	3DNR	PRODUCT WEIGHT	4.4 lb (2.0 kg)
PRIVACY MASKING	Up to 4 areas	PACKAGE WEIGHT	5.0 lb (2.3 kg)
CORRIDOR MODE	Yes	CONSTRUCTION	Die-cast aluminum housing with powder coat
LENS	HBL2GR1/HBW2GR1/H4W4GR1: 2.7-12 mm, MFZ, F1.4	CONSTRUCTION COLOR	RAL9003 (White) and RAL7022 (Gray)
	HBW2GR3: 5-50 mm, MFZ, F1.4	RECORDING AND STORAGE	Up to 128 GB microSDHC card Class 10 (not included)
	HBL2GR1: 97°-34° HBW2GR1/HBW4GR1: 99°-34° HBW2GR3: 66°-6.2°	ENVIRONMENTAL	
HORIZONTAL ANGLE OF VIEW		TEMPERATURE	-40°F to 140°F (-40°C to 60°C)
AUDIO/TWO-WAY	Line In/Out	RELATIVE HUMIDITY	10% to 100%, condensing
IP SPECIFICATIONS		INGRESS PROTECTION	IP67
VIDEO COMPRESSION	H.264/H.264H/H.264B/MJPEG	VANDAL RESISTANCE	IK10
RESOLUTION	HBL2GR1/HBW2GR1/HBW2GR3: 1080p (1920x1080)/SXGA (1280x1024)/1.3M (1280x960)/720p(1280x720)/D1(704x576/704x480)/CIF(352x288/352x240)	REGULATORY	
	HBW4GR1: 4M (2688x1520 with Analog video output off, or 2560x1440 with Analog video output on)/3M (2304x1296)/1080p (1920x1080)/SXGA (1280x1024)/1.3M (1280x960)/720p (1280x720)/D1 (704x576/704x480)/CIF (352x288/352x240)	EMISSIONS	FCC Part 15, CE (EN 55022); Complies with RCM (AS/NZS)
FRAME RATE	MAIN STREAM	IMMUNITY	CE (EN 50130-4)
		SAFETY	North America UL Listed to UL/CSA 60950-1, CE (EN 60950-1) North America UL Listed to UL/CSA 60950-22, CE (EN 60950-22)
		NOTE:	*Some development may be required in specific user cases to support some of these protocols in the field as they mature over time.

HBL2GR1/HBW2GR1/HBW2GR3/HBW4GR1

WDR IR Rugged IP Bullet Cameras

ORDERING

SYSTEM INTEGRATION

OPEN IP INTEGRATION

ONVIF support and open API software integration. Refer to www.onvif.org for the ONVIF specification and the Honeywell Open Technology Alliance website (<http://www.security.honeywell.com/hota/>) to learn more about our open and integrated solutions.



ACCESSORIES

HOUSINGS AND MOUNTS

HBG-BB	IP66 Back Box (for Cable Termination)
HBG-FP	Front Lens Plate (for Replacement if Vandalized)

ORDERING

CAMERAS

HBL2GR1	Network TDN Ultra Low-Light, 140 dB Wide Dynamic, IR Bullet Camera, 1/2.8" Imager, 2 MP, 2.7-12 mm MFZ Lens, 4 IR LEDs, PoE+, H.264
HBW2GR1	Network TDN Low-Light, 120 dB Wide Dynamic, IR Bullet Camera, 1/2.7" Imager, 2 MP, 2.7-12 mm MFZ Lens, 4 IR LEDs, PoE, H.264
HBW2GR3	Network TDN Low-Light, 120 dB Wide Dynamic, IR Bullet Camera, 1/2.7" Imager, 2 MP, 5-50 mm MFZ Lens, 4 IR LEDs, PoE, H.264
HBW4GR1	Network TDN Low-Light, 120 dB Wide Dynamic, IR Bullet Camera, 1/3" Imager, 4 MP, 2.7-12 mm MFZ Lens, 4 IR LEDs, PoE, H.264

For more information

www.honeywell.com/security

Honeywell Security and Fire

2700 Blankenbaker Pkwy, Suite 150
Louisville, KY 40299
1.800.323.4576
www.honeywell.com

Honeywell reserves the right, without notification, to make changes in product design or specifications.

L/HBWDRCD/D | 06/16
© 2016 Honeywell International Inc.

Honeywell