

# M230i-T4/T6 - Applicator highlights

## COMPLIANCE

The applicator is compliant with all the safety requirements of the Machinery Directive.

## MODULAR CONCEPT

A modular design concept allows for easy reconfiguration in the field. Reduced time for installation, service and changing media increases uptime and preserves OEE.

## CLEAN DESIGN

The clean design includes an applicator cover hiding and protecting tubes, wires and moving parts. The design works as dust protection to increase product life time and simplify cleaning.

## DISTANCE TO PRODUCT

Choose the effective stroke length that is most suitable for your business, 160mm, 360mm or 560mm.

## 60% SLIMMER

The new applicator is as much as 60% slimmer depending on configuration, giving you the most compact system on the market, but still full featured in capacity.

## EASE OF USE

The innovative design makes it simple to separate the applicator from the printer when reconfiguring and servicing.

## HANDLES A VARIETY OF LABELS

Non-stick pads that are easy to switch from one size to another with dimensions ranging from 50x66mm to 150x210mm gives you the flexibility and efficiency you need in your day to day operations.

## MATCHLESS PERFORMANCE

Driving label integrity through system design and automated checking. An integrated blow, continuous vacuum and no-drop functionality, ensures each label is carefully applied.

## Download the app

Discover the features and benefits of the M-Series. Download the augmented reality app from the QR code below. Hold your tablet or smartphone in front of the printer image and step into a whole new reality.

Android

iOS

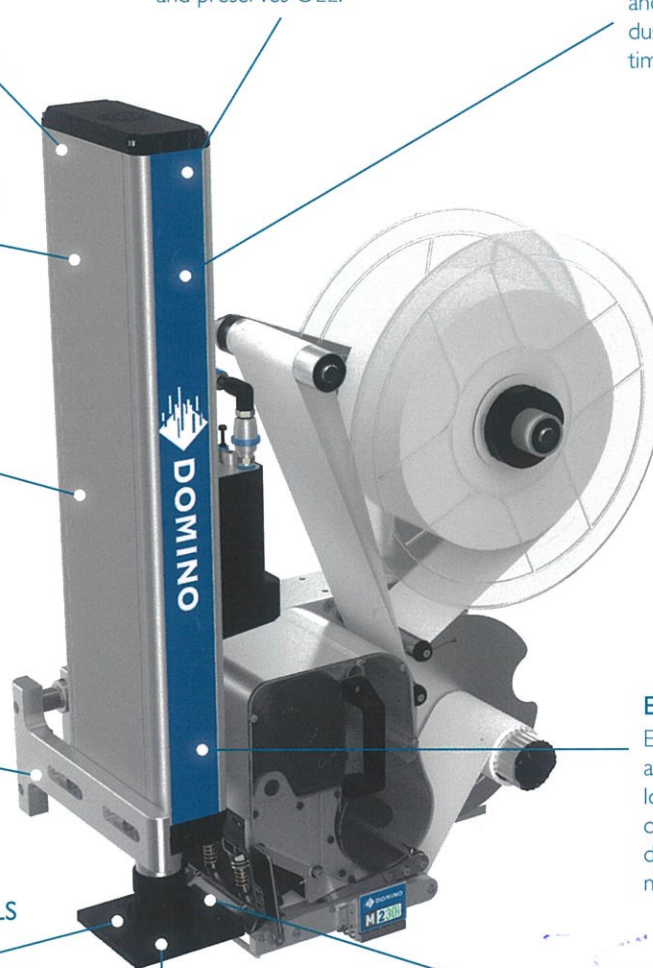


## ENVIRONMENTALLY EFFICIENT

Efficient machine movements and automatic standby function ensures low power requirements. Quiet operation and short cycle times deliver high levels of efficiency with minimal factory impact.

## SAFE OPERATION

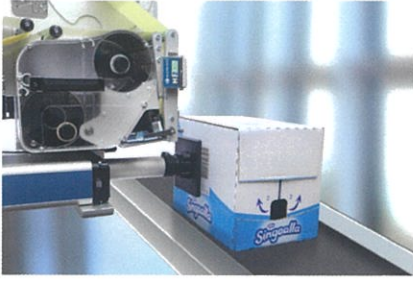
Auto stop feature prevents operator injury or damage to the printer if the path of the applicator is interrupted.



SO-SAL-3200-044



## Distance to your product



With the **M230i-T4** and **M230i-T6** you can choose the effective stroke length that is most suitable for your business. We offer three standard stroke lengths, 160mm, 360mm and 560mm. Thanks to a very small footprint and a smart design it is possible to get close to the product, making installations easy on constrained production lines.



## Possible label sizes

Each pad size fits a selection of labels sizes. The range of standard pad sizes allows ultimate flexibility in choice of label that can be used with the flexibility to adapt when label sizes or product change.

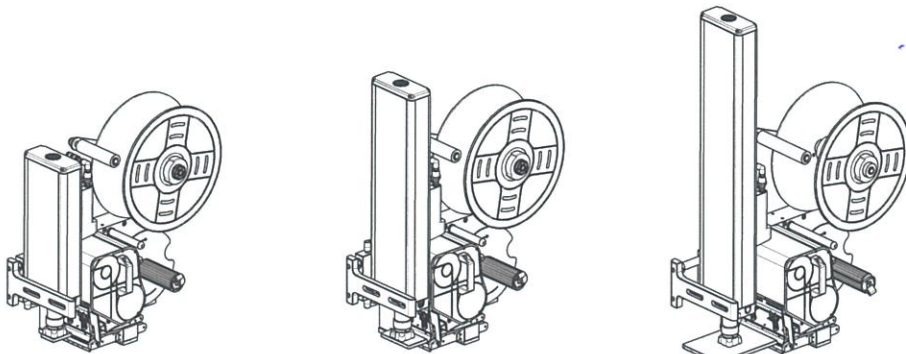


Pad options	Recommended label size
50x66mm	32x55mm - 50x66mm
80x66mm	47x55mm - 80x66mm
110x66mm	62x55mm - 110x66mm
110x110mm	62x72mm - 110x110mm
110x160mm	62x97mm - 110x160mm
150x110mm	82x72mm - 150x110mm
150x210mm	82x122mm - 150x210mm

## Smallest footprint

Although the **M230i-T4** and **M230i-T6** have a robust and flexible design, they still have the smallest overall machine footprint on the market. The matrix below gives the dimensions for the different models (LxHxW) in mm.

Model \ Pad	50x66mm	80x66mm	110x66mm	110x110mm	110x160mm	150x110mm	150x210mm
<b>M230i-T4</b> 160mm	560x625x272	560x625x272	560x625x272	560x625x272	621x625x272	560x625x272	671x625x272
<b>M230i-T4</b> 360mm	560x752x272	560x752x272	560x752x272	560x752x272	621x752x272	560x752x272	671x752x272
<b>M230i-T4</b> 560mm	560x952x272	560x952x272	560x952x272	560x952x272	621x952x272	560x952x272	671x952x272
<b>M230i-T6</b> 160mm	560x625x327	560x625x327	560x625x327	560x625x327	621x625x327	560x625x327	671x625x327
<b>M230i-T6</b> 360mm	560x752x327	560x752x327	560x752x327	560x752x327	621x752x327	560x752x327	671x752x327
<b>M230i-T6</b> 560mm	560x952x327	560x952x327	560x952x327	560x952x327	621x952x327	560x952x327	671x952x327



As much as  
**60% slimmer**  
depending on

