

Realize Infinite Possibilities For Building Labeling System

LMUe6000 is a standard model labeling machine of touch panel controller type. The labeling unit adopt module structure and it can meet various needs thanks to optional units.

Color Touch Panel Controller "EUI2"

The controller is easy to understand touch panel formula. Simple selection on the touch panel at the time of type switching.

Variety Registration

Such as a label affixed position, setting of each type can be registered. Quick variety switching is possible with EUI2.



Color Touch Panel Controller
"EUI2"

Auto Tuning

Label stopping position differs by the label length. Auto Tuning function can adjust the position automatically.

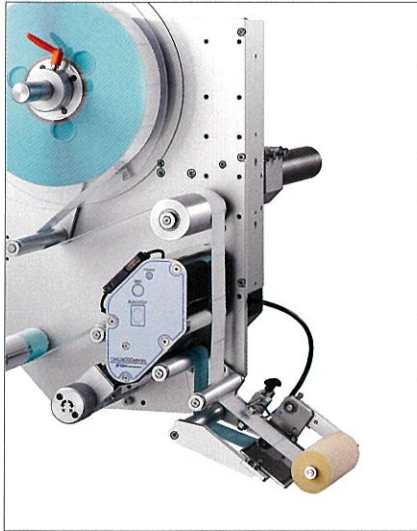
Log Information

EUI2 operated log and error log are kept 3,000 latest each. In case of trouble, you can investigate the cause promptly.

Automatic Speed Detect Function (Optional)

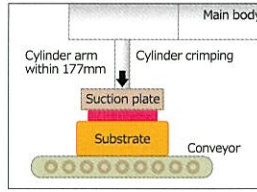
It can automatically detect the product speed without the encoder unit and can be installed into existing conveyer by bolt-on.

Labeling Method Variations



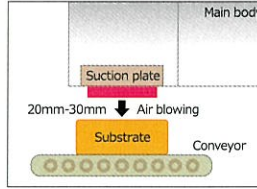
Roller Type **LMUe6000N**

General type of labeling method. It can label on products in motion without stopping. The structure is simple and equipment cost is economical.



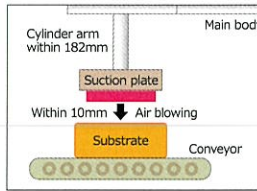
Cylinder Type **LMUe6000A**

Labeling by extending cylinder arm with label absorbing head. It labels when the product stops moving. It is suitable for jobs requiring accuracy in label position.



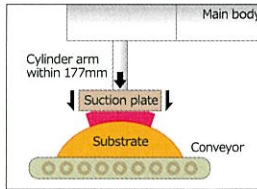
Air Blow Type **LMUe6000B**

Labeling method is non-contact, air blow type. It can surely label on uneven or bumpy product surface.



Cylinder Jet Type **LMUe6000CJ**

Attach by blowing air near the product with a cylinder. Suitable for labeling without stopping the transport to lightweight objects.

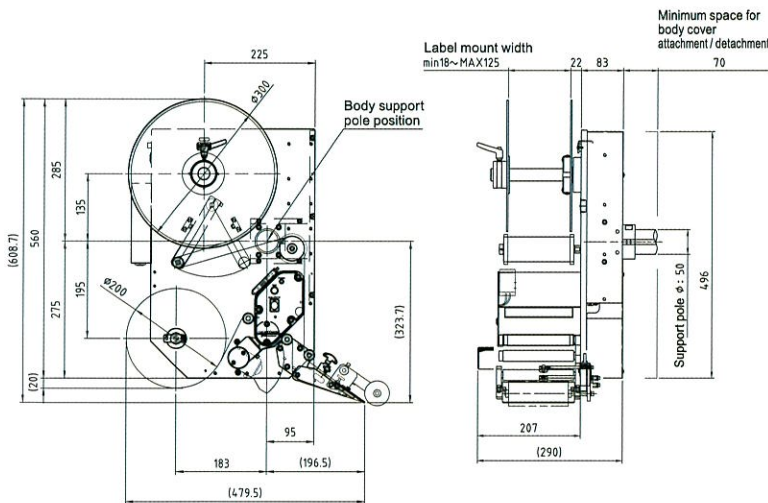


Press Jet Type **LMUe6000PJ**

Attach by pressing against the product with a cylinder and blowing with an air jet at the same time. Ideal for applications that are securely attached to curved surfaces.

Outline Dimensional Drawing

(LMUe6000N)



SPECIFICATION

Model	LMUe6000N
Drive Method	Stepping Motor
Labeling Speed	2M/min-25M/min
Power Supply	AC100V-240V, 140VA, 50Hz/60Hz
Weight (Main Body)	20.4kg
Label Specification	
Base Paper Width :	18mm - 125mm
Label Width :	15mm - 120mm
Label Length :	15mm - 200mm
Maximum Roll Diameter :	(O.D.) φ300mm
Inside Dia	mm

Operating Environment: Temperature : 5°C-40°C Humidity : 20%-80% (notice)
The specification may differ from conditions of use. Specification and other information : notice.



5-2,3-Chome Itabashi, Itabashi-ku, Tokyo, Japan
TEL : +81-3-3964-4852 FAX : +81-3-3962-1277
URL : <https://www.edm-net.co.jp/>

Agency

ต้นฉบับควบคุม
วันที่เริ่มใช้ 1, 8, 66
ผู้จัดทำ อจพร ทิพย์
20, 7, 66
ผู้อนุมัติใช้ [Signature]
20, 7, 66