

Realize Infinite Possibilities For Building Labeling System

LMH6000 is high speed and high accuracy model . The labeling units adopt module structure and it can meet various needs thanks to optional units.

LMH6000

High Speed And High Accuracy Model

Auto Speed Follow-up

It can be synchronized automatically with any variable speed by use of AC servo motor and encoder system.

High Speed And High Accuracy

Applying label at 40M/min speed. Labeling position can be set in increments of one millimeter.

Item Management

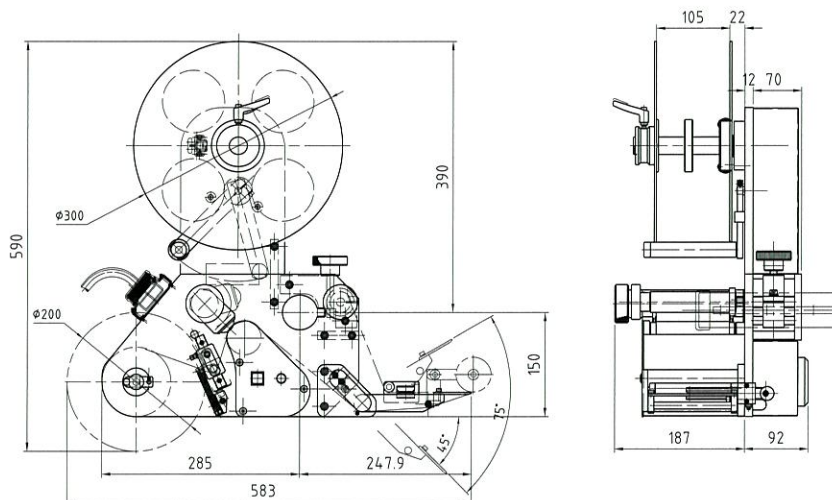
Stopping position and labeling position of each label can be controlled. Item change is easy by using color touch screen controller "EUI2".

Compact Size

LMC6000 is compact size model. It has flexibility in installation place due to its compactness.

SO-SAL-3200-059

Outline Dimensional Drawing



SPECIFICATION

Model	LMH6000
Drive Method	AC Servo Motor
Labeling Speed	1M/min - 40M/min
Power Supply	AC200V , 1.3kVA , 50Hz/60Hz
Weight (Main Body)	15kg
Dimensions (mm)	583 (W) - 590 (H) - 279 (D)
Label Specification : Basement Paper Width	18mm - 105mm
: Label Length	15mm - 120mm
: Maximum Roll Diameter	(O.D.) φ 300mm
: Inside Diameter	(I.D.) φ 75mm
Operating Environment	Temperature : 5°C-40°C Humidity : Under 90%RH (no dew condensation)

The specification may differ from conditions of use. Specification and other information are subject to change without notice.

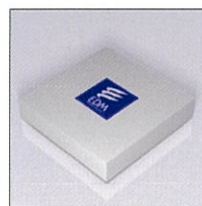
We Propose A Labeling System to Meet The Diverse Needs!!



Applying Labels
To The Both Sides Surface



Wrapping Labels
Around The Bottle



Applying Labels
On The Top Surface



5-2,3-Chome Itabashi, Itabashi-ku, Tokyo, Japan
 TEL : +81-3-3964-4852 FAX : +81-3-3962-1277
 URL : <https://www.edm-net.co.jp/>

Agency

ต้นฉบับควบคุม

วันที่เริ่มใช้ 1 / 8 / 66

ผู้จัดทำ อ่างส. กิ่ง

20 / 7 / 66

ผู้อนุมัติใช้

10 / 2 / 66