

Easily Realizes Automatic Label Attachment to the Top Surface

This unit is a top-mounted labeling machine that applies the label on the top surface of products in the post-packaging process.

Equipped with convenient functions that are simple to use at the production site, easily realizes high quality and efficiently automatic label attachment.

Productivity Improvement

Changing production methods from the applying labels by hands to automatic labeling machine is contributed to productivity improvement.

Touchscreen

Easy selection with the touchscreen when switching products.



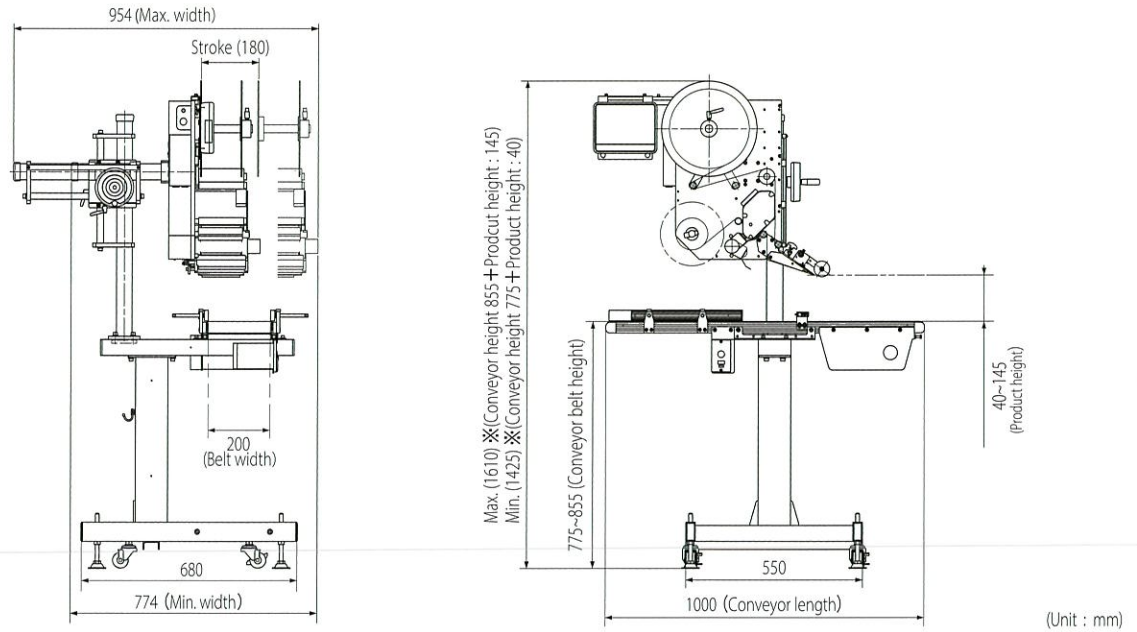
EUI2

Variety Registration

Settings each type of product can be registered such as label applying position, the amount of delay before applying labels, gap between labels and so on.

LABEL SPECIFICATION		
Label Width		15mm - 120mm
Basement Paper Width		18mm - 125mm
Label Length		15mm - 200mm
Label Roll	(O.D.) Maximum	φ 300mm
Label Paper Core	(I.D.)	φ 75mm

Outline Dimensional Drawing (LMUe6000NS12-JM)



Various Variations

LMUe6000 offers a stand type without a conveyor as well as a conveyor type, which is suitable for incorporation into production lines. Furthermore, we also handle the simultaneous installation of TTO that can be applying by printing the date on the label.

Available In Great Variety Cases !!

- Conveyor type** that can be easily used
- Stand type** suitable for incorporation into a production
- Printer-equipped type** that is printing the date on the label

For more details, please scan the QR code



Proposals For Various Labeling Machines That Meet Diverse Needs!!



For Both Sides Labeling



For Wrap-Around Labeling



For Band Form Labeling



Labeling

The specification may differ from conditions of use. Specification and other information

output notice.



5-2,3-Chome Itabashi, Itabashi-ku, Tokyo, Japan
 TEL : +81-3-3964-4852 FAX : +81-3-3962-1277
 URL : <https://www.edm-net.co.jp/>

Agency

ต้นฉบับควบคุม
 วันที่เริ่มใช้ 1 8 66
 ผู้จัดทำ อรรถพร นิมิต
 20 7 66
 ผู้อนุมัติใช้ [Signature]
 20 2 66